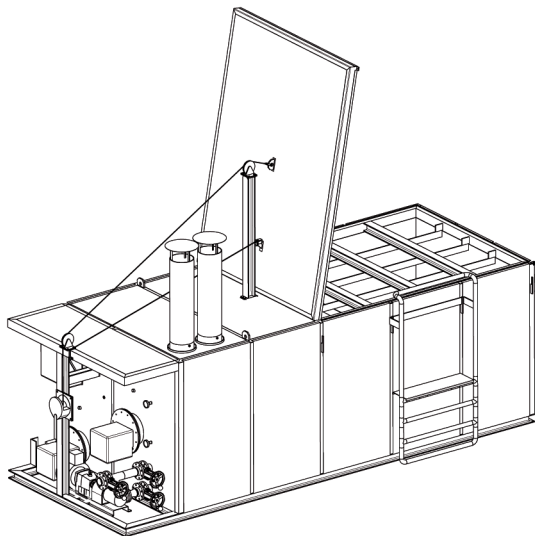


DATA SHEET

MELTER



MELTER PQM2

STANDARD EQUIPMENT (for POLYCUBE melting at ambient temperature above 15°C)

Specification

Melting rate: 2 tons/hour (PEN 50/70)
Max temperature: 180°C (for bitumen)

Tank

Volume: 14 metric tons in total

Dimensions

for transport* 5850 x 2250 x 2050 mm
assembled 6100 x 2500 x 3600 mm
Weight empty: 5.800 kg (basic equipment)

Burner

Power: 2 x 110 kW
Fuel: diesel (heating oil extra light)
Consumption: 9,4 Litres/hour per burner

* Equipment fits into a standard 20ft container (excluded Set 4: Winter Lid and Set 5: Crane with electric chain hoist).

OPTIONAL EQUIPMENT

Set 1: Pump and Valves

Gear pump for bitumen (10m³/h, 4kW/400VAC/50Hz)
Connection pipes between melter's tank and pump
Heat Tracing for the pump and connection pipes
Valves (3 slide valves DN80/3")

Set 2: Spare parts

Set of spare parts for burners
Set of spare parts for bitumen pump
Gaskets for connection pipes

Set 3: POLYCUBE Port Kit

Fork lift extension
Container ramp

Set 4: Winter Lid

Cover in cube shape for ambient temperatures below 15°C